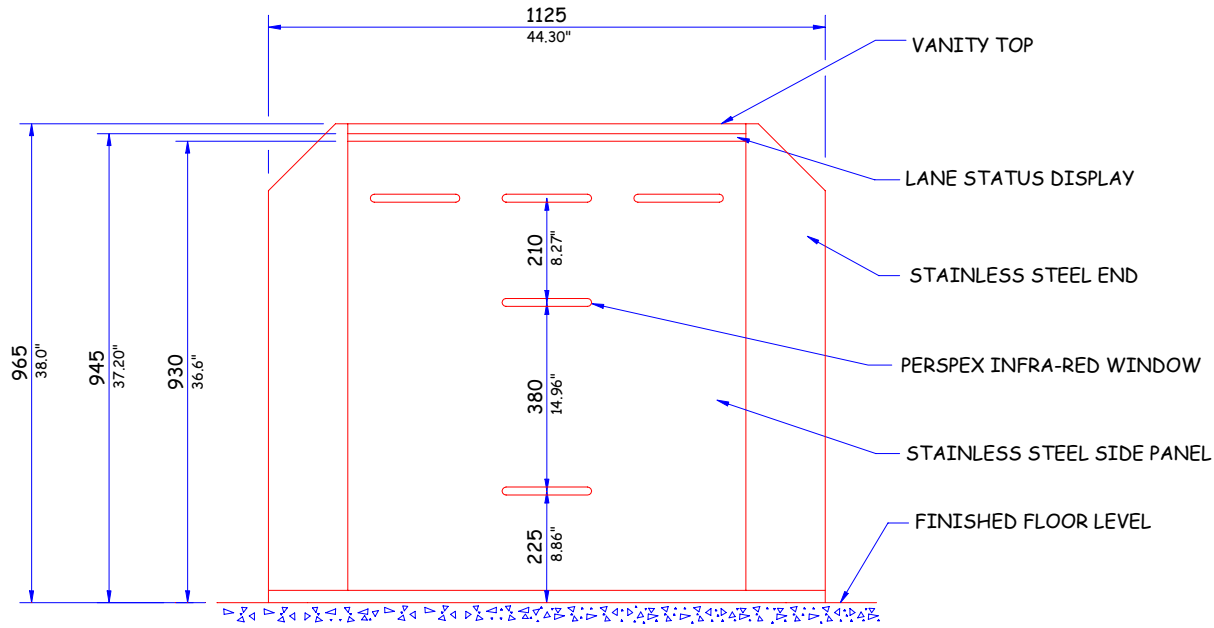
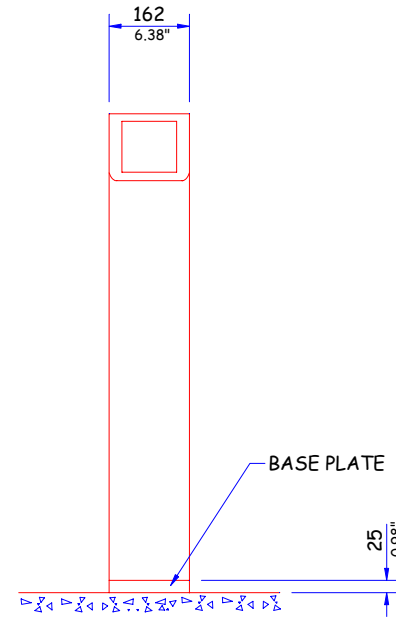


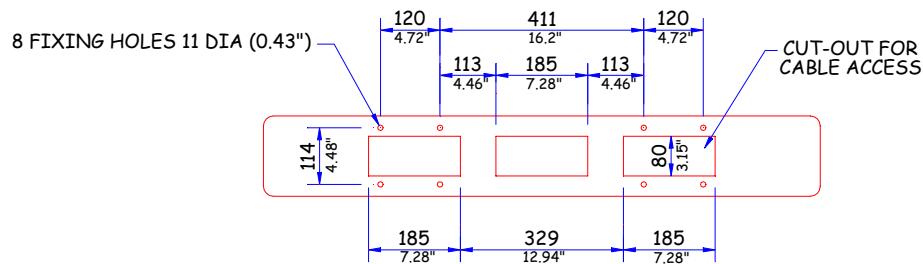
TOP VIEW



SIDE VIEW

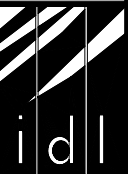


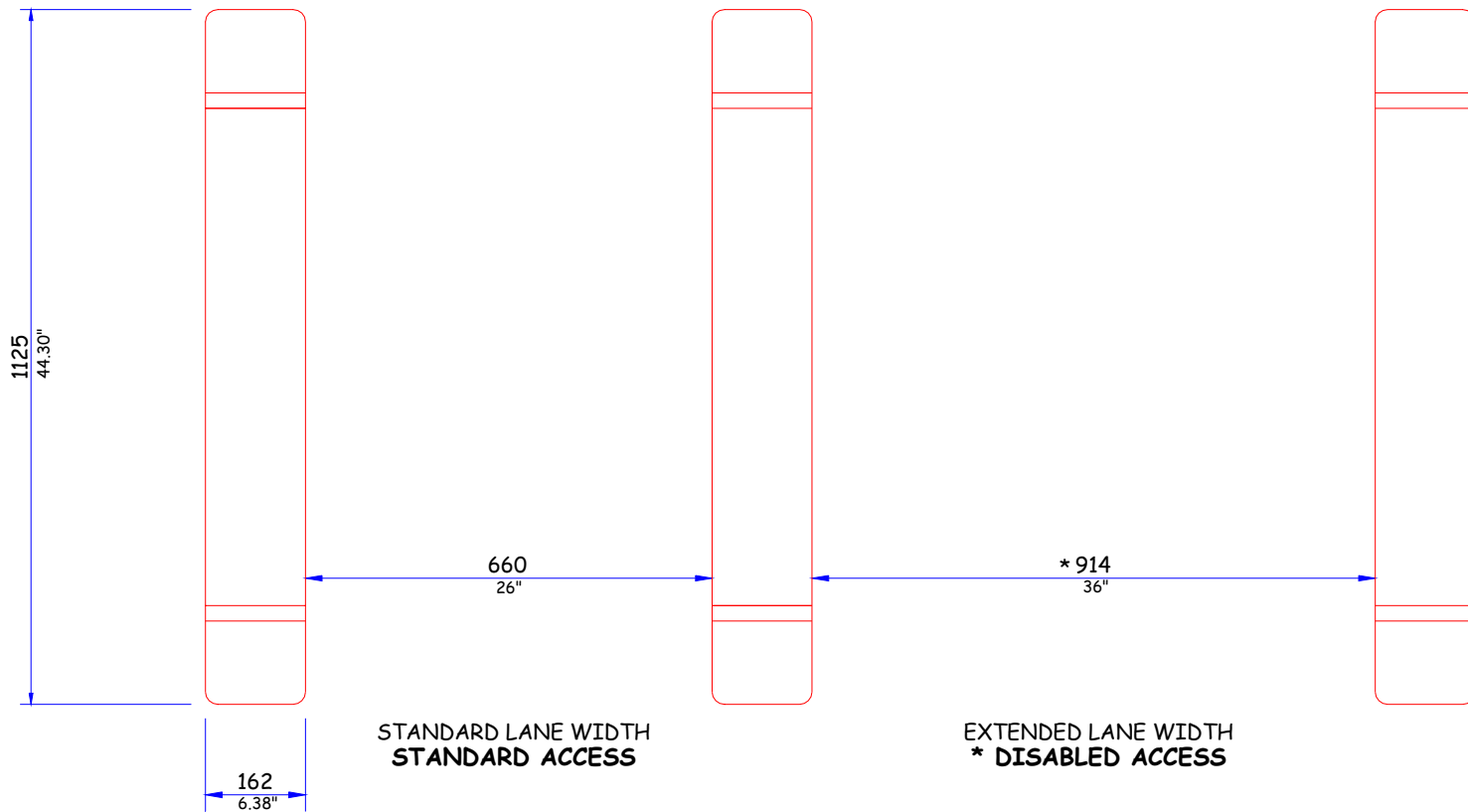
END VIEW



BASE VIEW
(VIEWED FROM ABOVE)

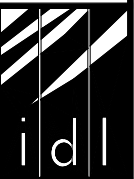
PRODUCT: FASTLANE PLUS S400 OT	
TITLE: GENERAL DIMENSIONS	
DRAWN: RST	DRAWING No: S665_200_A0
DATE: 28.7.04	This document is the copyright of Integrated Design Ltd

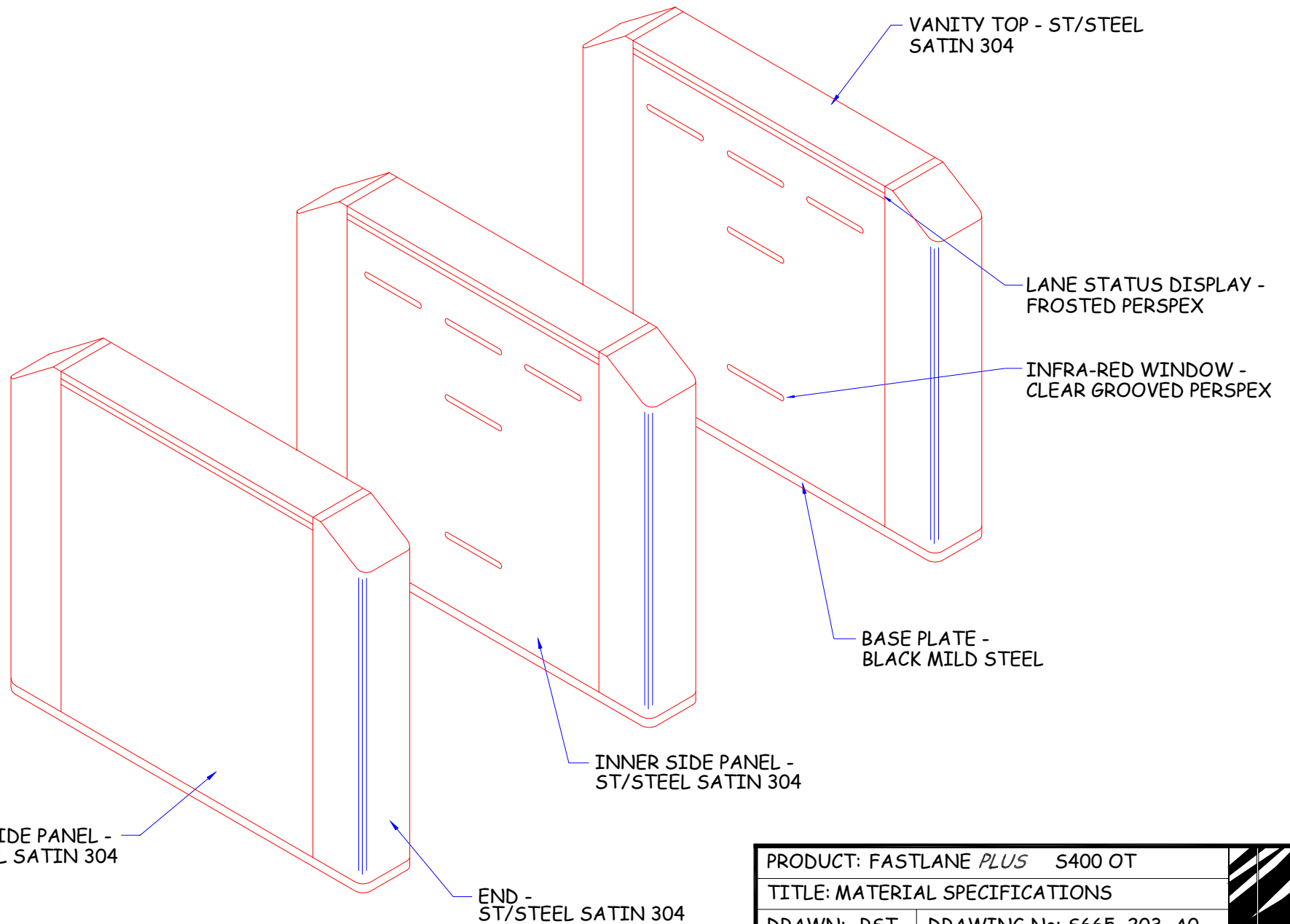




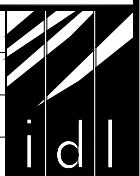
* SUBJECT TO LOCAL LEGISLATION

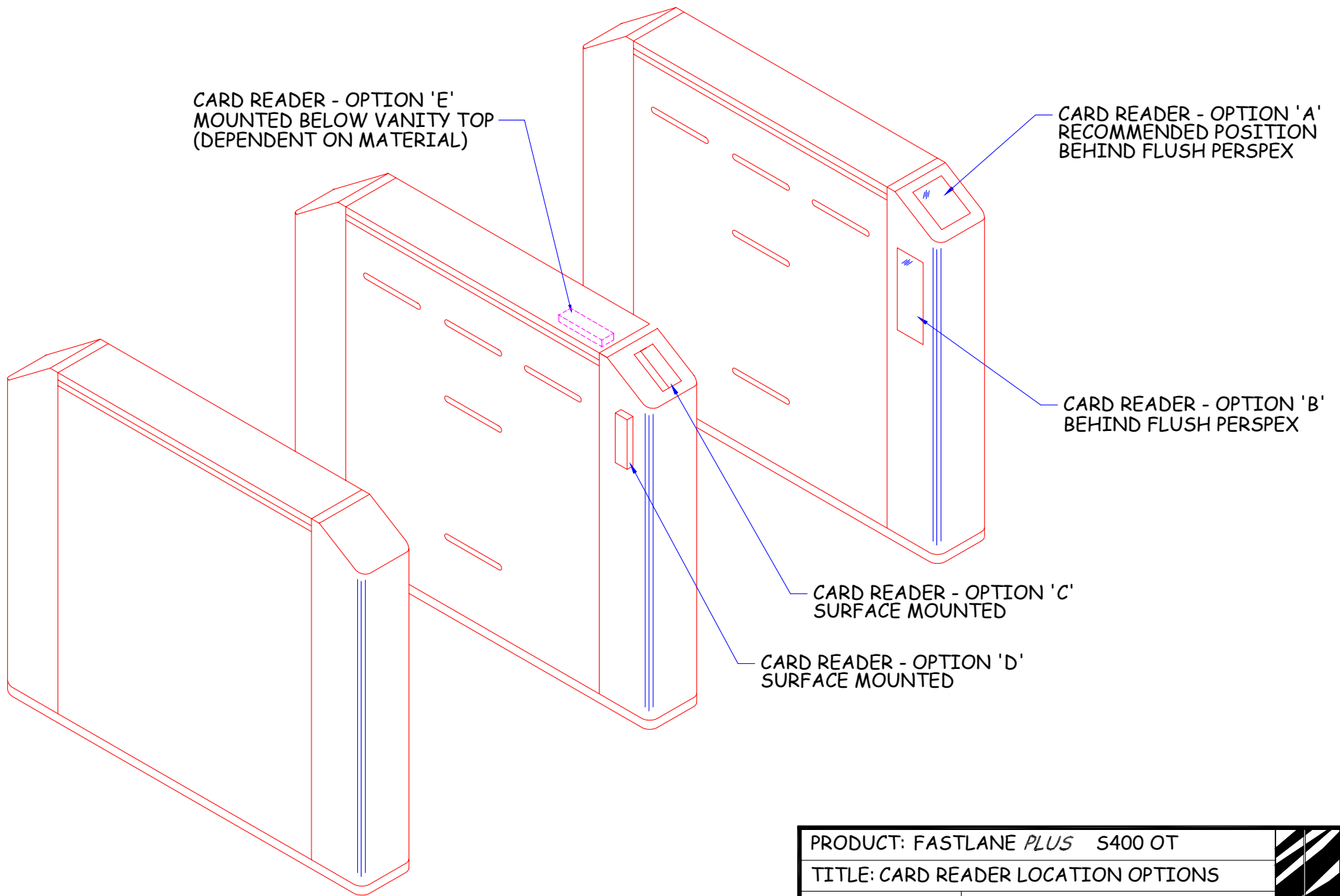
PRODUCT: FASTLANE PLUS S400 OT	
TITLE: GENERAL LAYOUT	
DRAWN: RST	DRAWING No: S665_201_A0
DATE: 28.7.04	This document is the copyright of Integrated Design Ltd



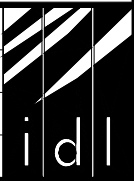


PRODUCT: FASTLANE <i>PLUS</i> 5400 OT	
TITLE: MATERIAL SPECIFICATIONS	
DRAWN: RST	DRAWING No: S665_203_A0
DATE: 28.7.04	This document is the copyright of Integrated Design Ltd





PRODUCT: FASTLANE PLUS S400 OT	
TITLE: CARD READER LOCATION OPTIONS	
DRAWN: RST	DRAWING No: S665_204_A0
DATE: 28.7.04	This document is the copyright of Integrated Design Ltd

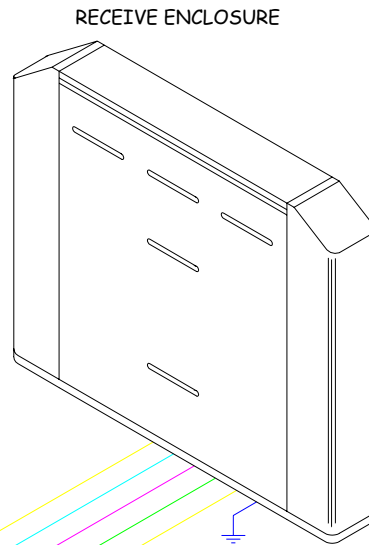
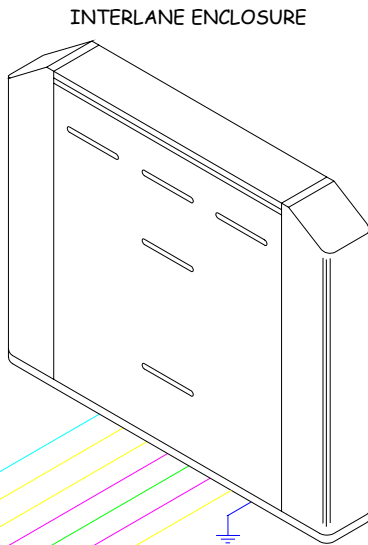
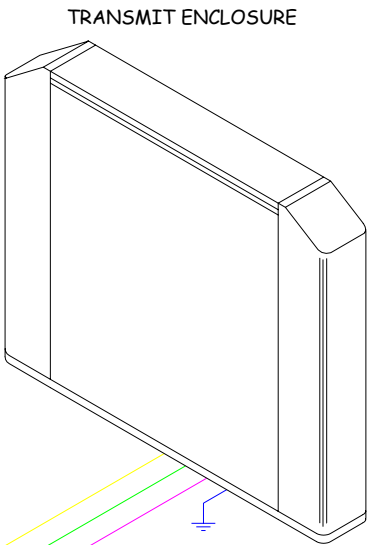


ACCESS CONTROL SYSTEM

- * CARD READER
- ACCESS CONTROL
- ACCESS CONTROL
- * CARD READER
- * CARD READER
- * CARD READER

ACCESS CONTROL - 10 CORE
 IP> 'DOOR OPEN' ENTRY
 IP< 'DOOR OPEN' EXIT
 ENT> 'DOOR CLOSED' ENTRY
 ENT< 'DOOR OPEN' EXIT
 ALR ALARM O/P

* CARD READER CABLING DEPENDENT ON READER MANUFACTURER'S SPECIFICATIONS.



FASTPOWER
12V 2.5A

2 CORE

2 CORE

2 CORE

CAT. 5 CABLE (3 MTRS SUPPLIED) (10')

CAT. 5 CABLE (3 MTRS SUPPLIED) (10')

8 CORE + SCREEN

8 CORE + SCREEN

DESK MOUNTED REMOTE CONTROL

DESK MOUNTED REMOTE CONTROL

PRODUCT: FASTLANE S400 OT	
TITLE: CABLING REQUIREMENTS	
DRAWN: RST	DRAWING No: S665_207_A0
DATE: 28.7.04	This document is the copyright of Integrated Design Ltd

