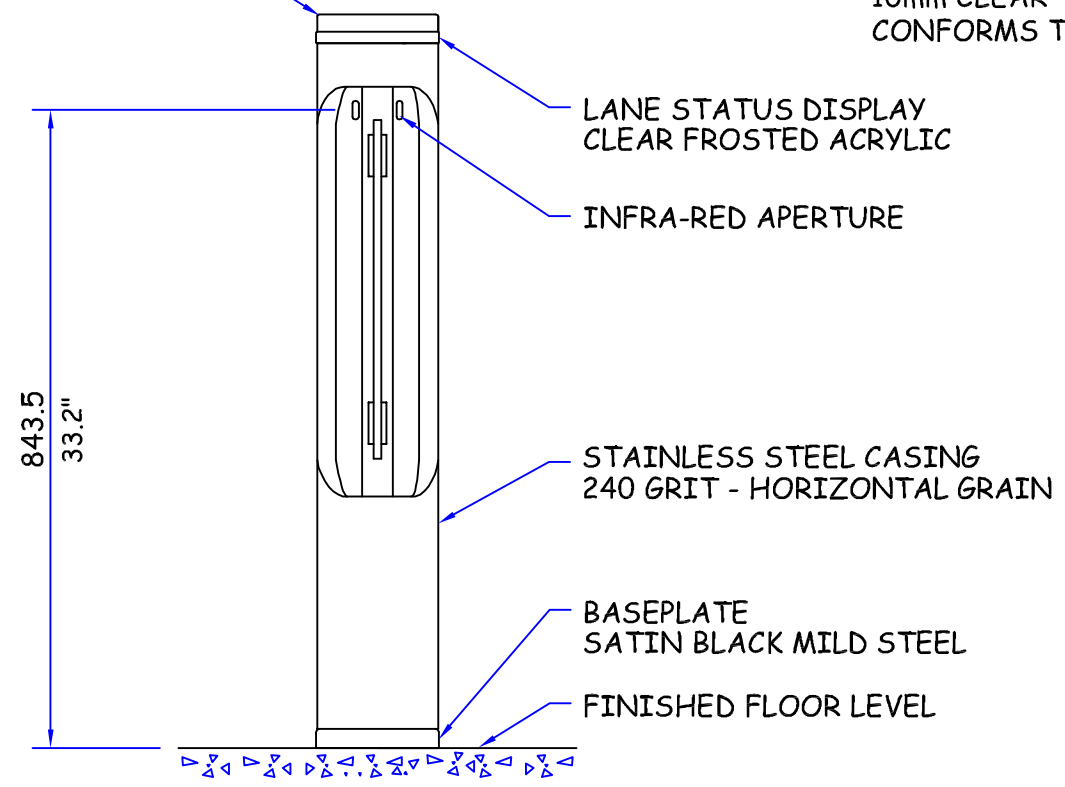


ST/STEEL DECORATIVE TOP
240 GRIT - GRAINED



10mm CLEAR TOUGHENED GLASS PANEL
CONFORMS TO EN12150 & EN12600

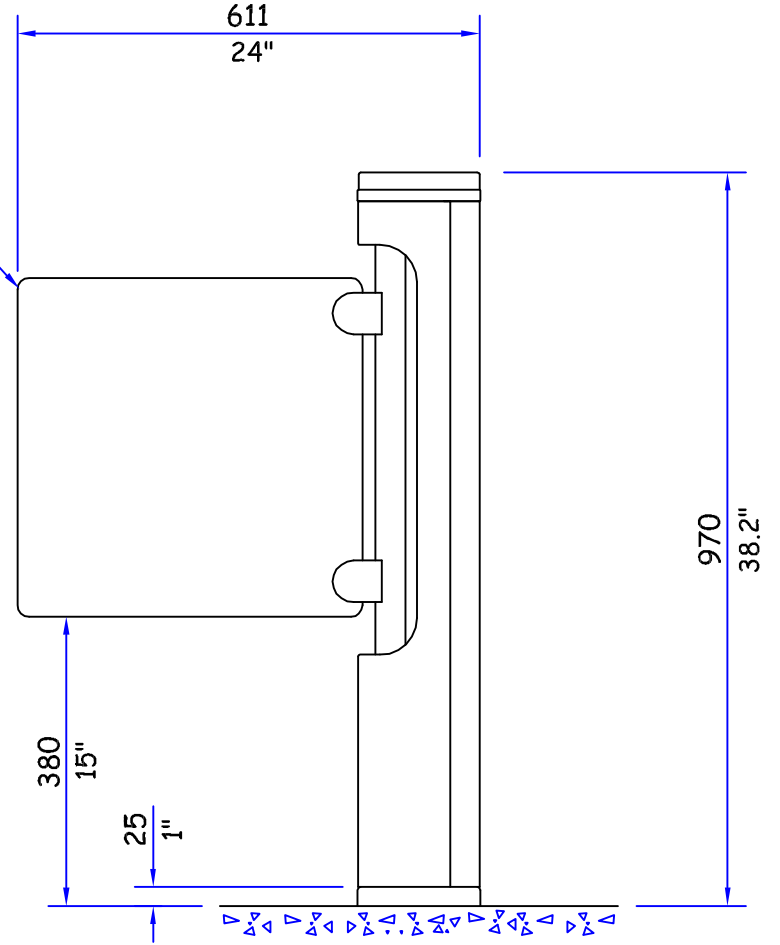
LANE STATUS DISPLAY
CLEAR FROSTED ACRYLIC
INFRA-RED APERTURE

STAINLESS STEEL CASING
240 GRIT - HORIZONTAL GRAIN

BASEPLATE
SATIN BLACK MILD STEEL

FINISHED FLOOR LEVEL

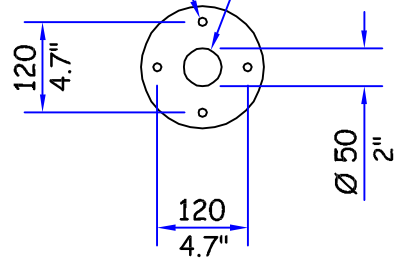
SIDE VIEW



END VIEW

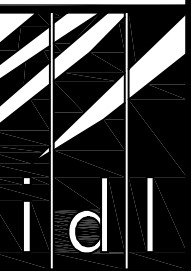
4 FIXING HOLES 12 DIA (0.47")
FOR M10 (3/8") FIXINGS
SUITABLE FOR FLOOR

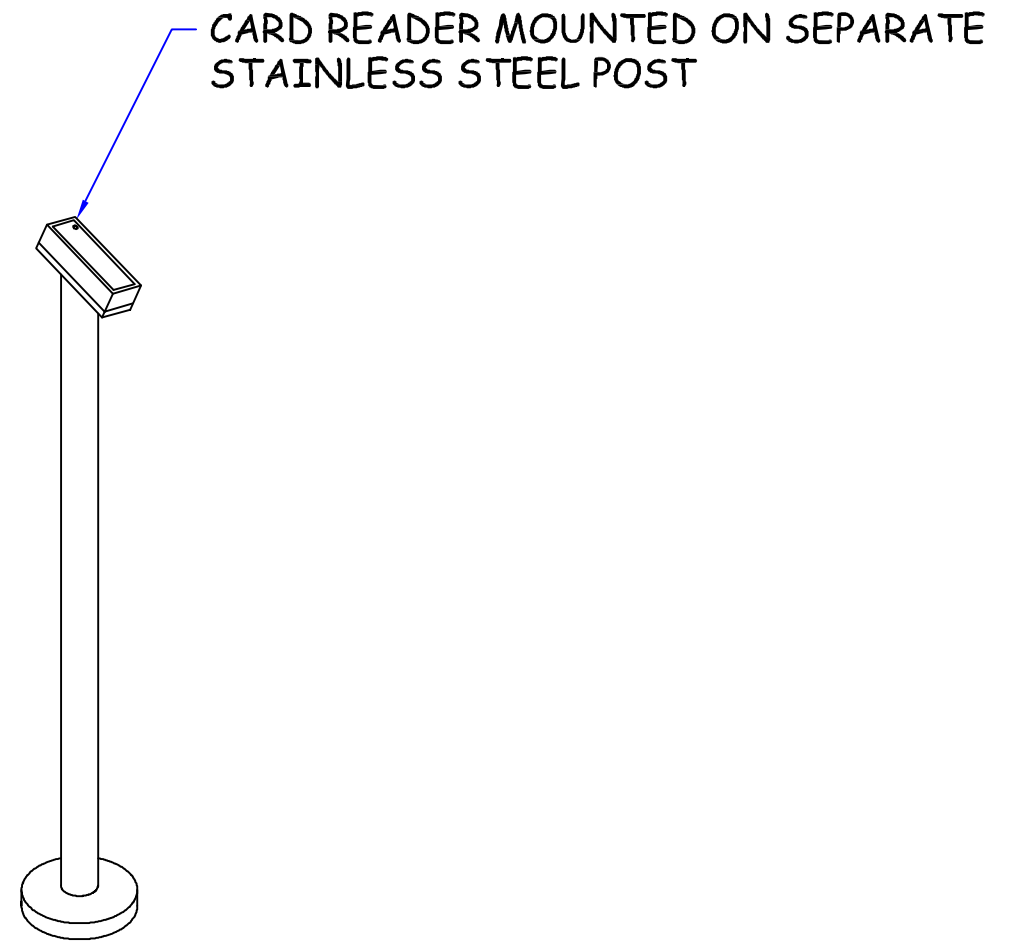
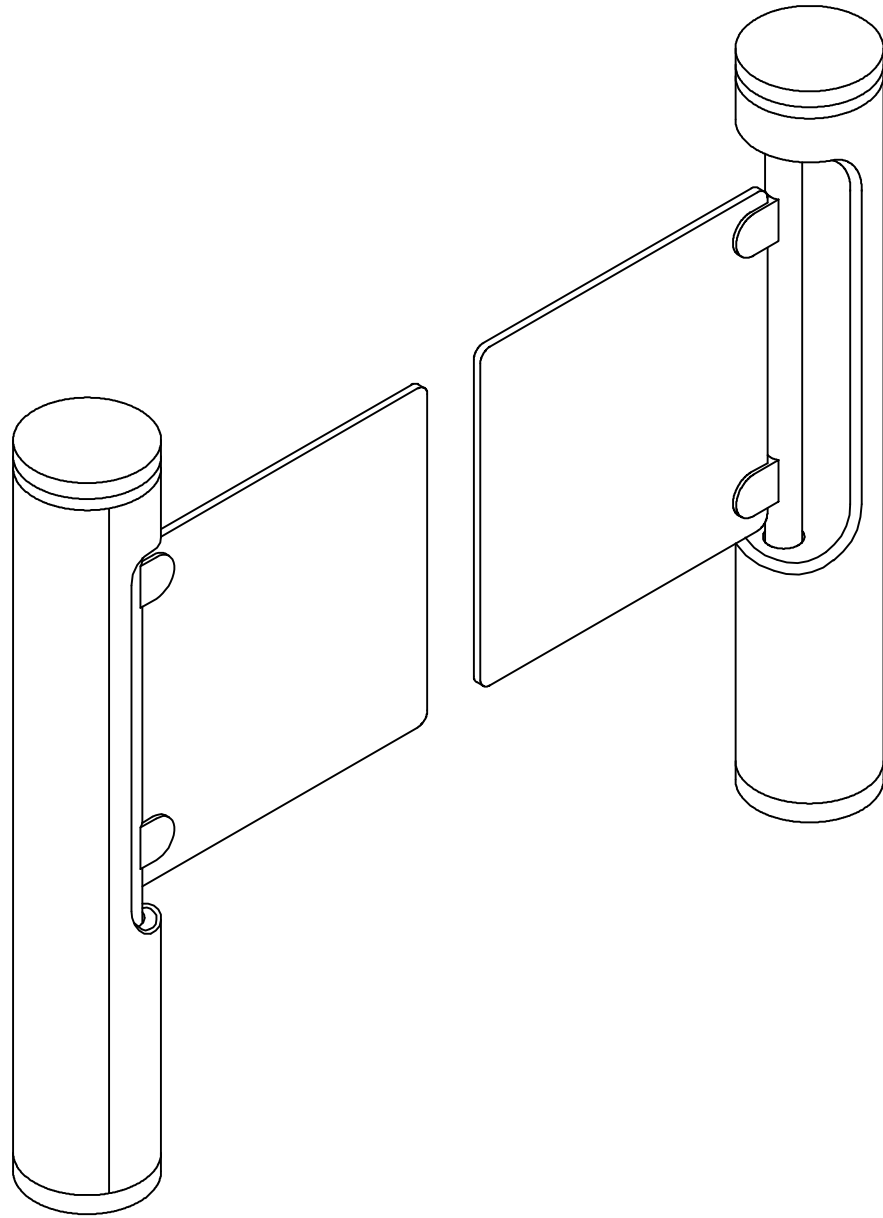
CABLE CONTAINMENT ACCESS HOLE



BASE VIEW
(VIEWED FROM ABOVE)

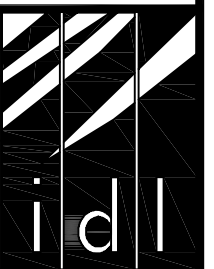
PRODUCT: PASSGATE/INTELLIGATE	
TITLE: GENERAL DIMENSIONS	
DRAWN: RST	DRAWING No: S665_250_A3
DATE: 3.2.06	This document is the copyright of Integrated Design Ltd

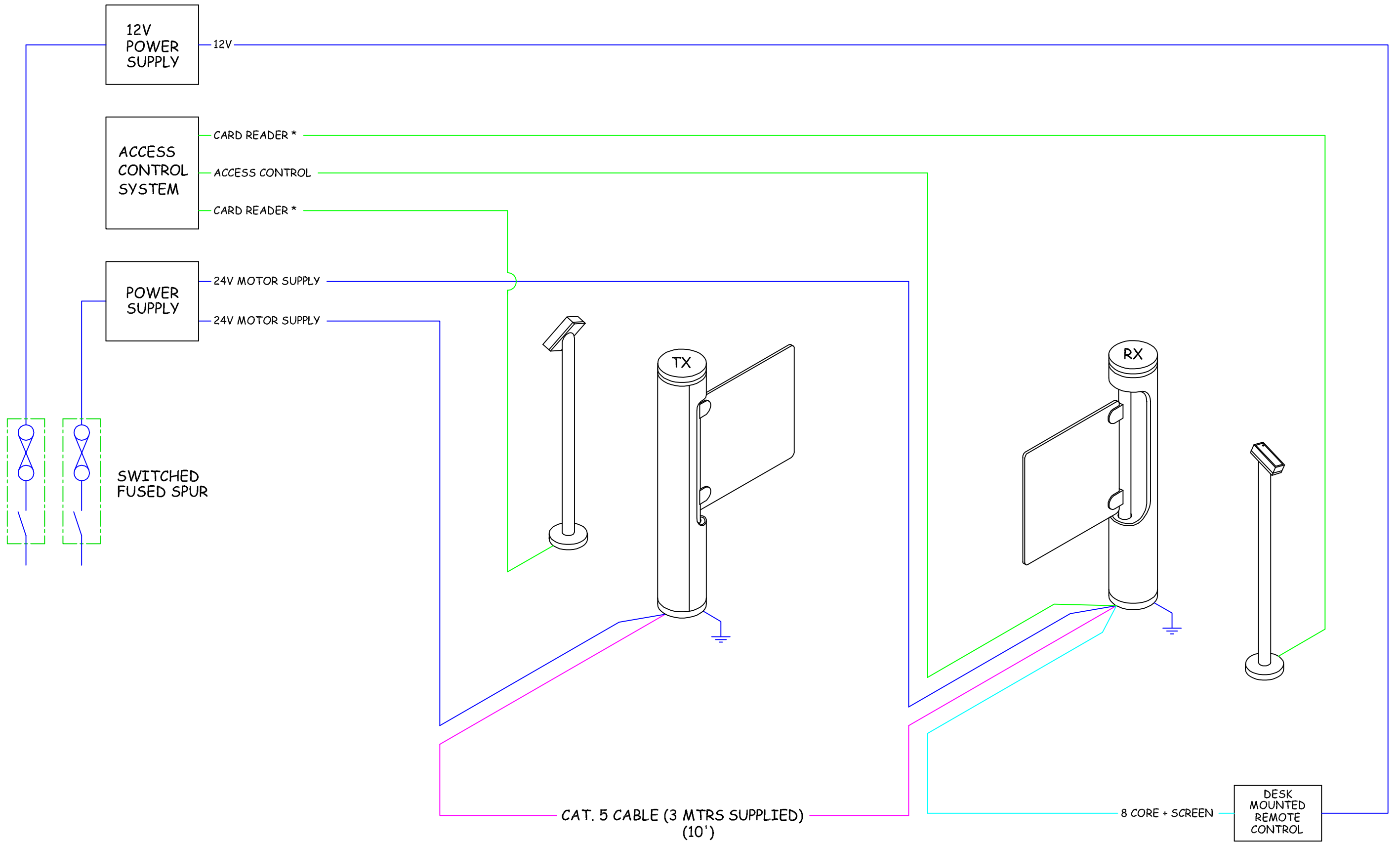




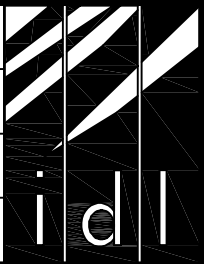
CARD READER MOUNTED ON SEPARATE
STAINLESS STEEL POST

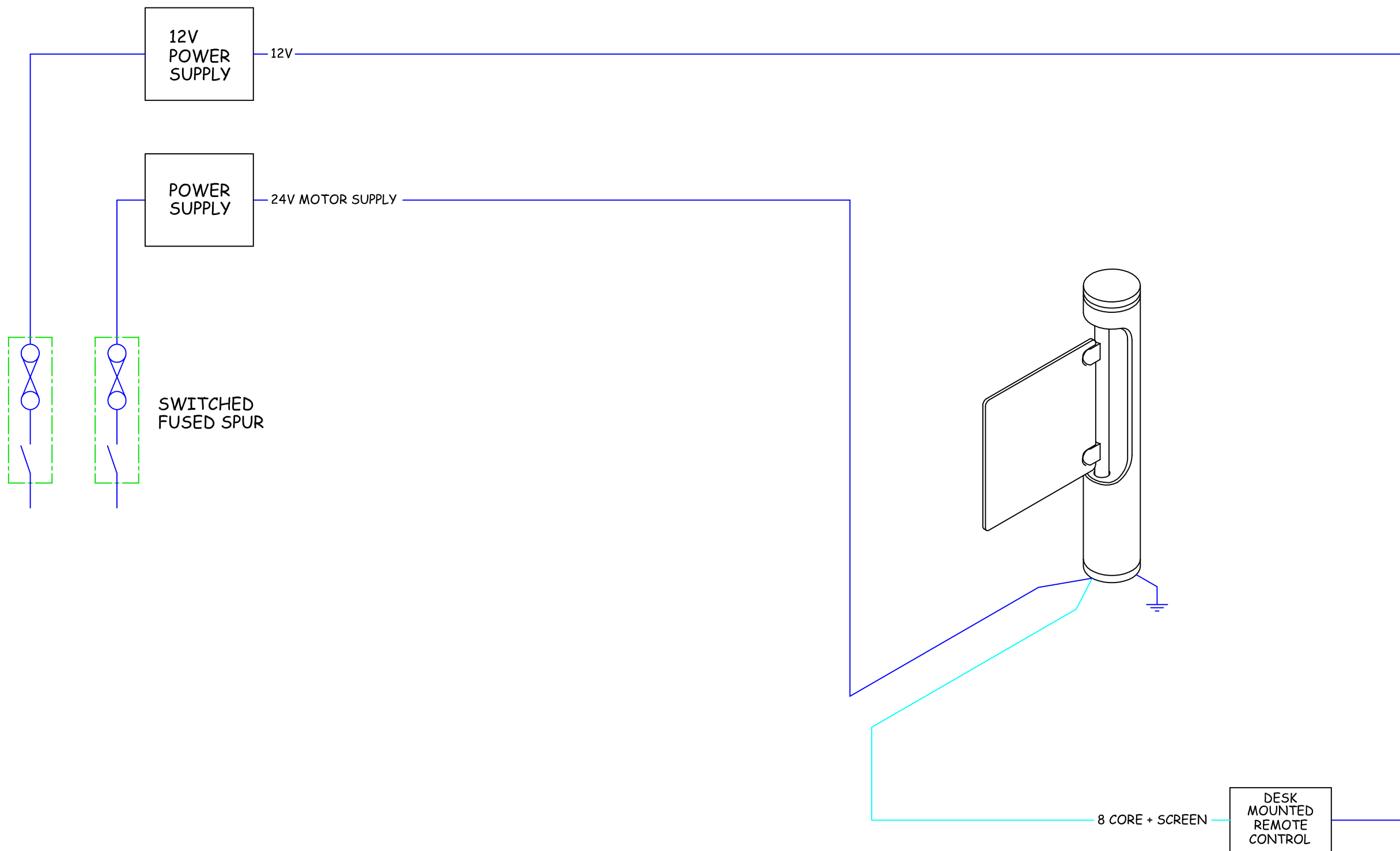
PRODUCT: INTELLIGATE	
TITLE: CARD READER MOUNTING	
DRAWN: RST	DRAWING No: S665_254_A1
DATE: 3.2.06	This document is the copyright of Integrated Design Ltd





PRODUCT: INTELLIGATE	
TITLE: CABLING REQUIREMENTS	
DRAWN: RST	DRAWING No: S665_257_A1
DATE: 10.5.05	This document is the copyright of Integrated Design Ltd





PRODUCT: PASSGATE		
TITLE: CABLING REQUIREMENTS		
DRAWN: RST	DRAWING No: S665_258_A0	
DATE: 10.5.05	This document is the copyright of Integrated Design Ltd	